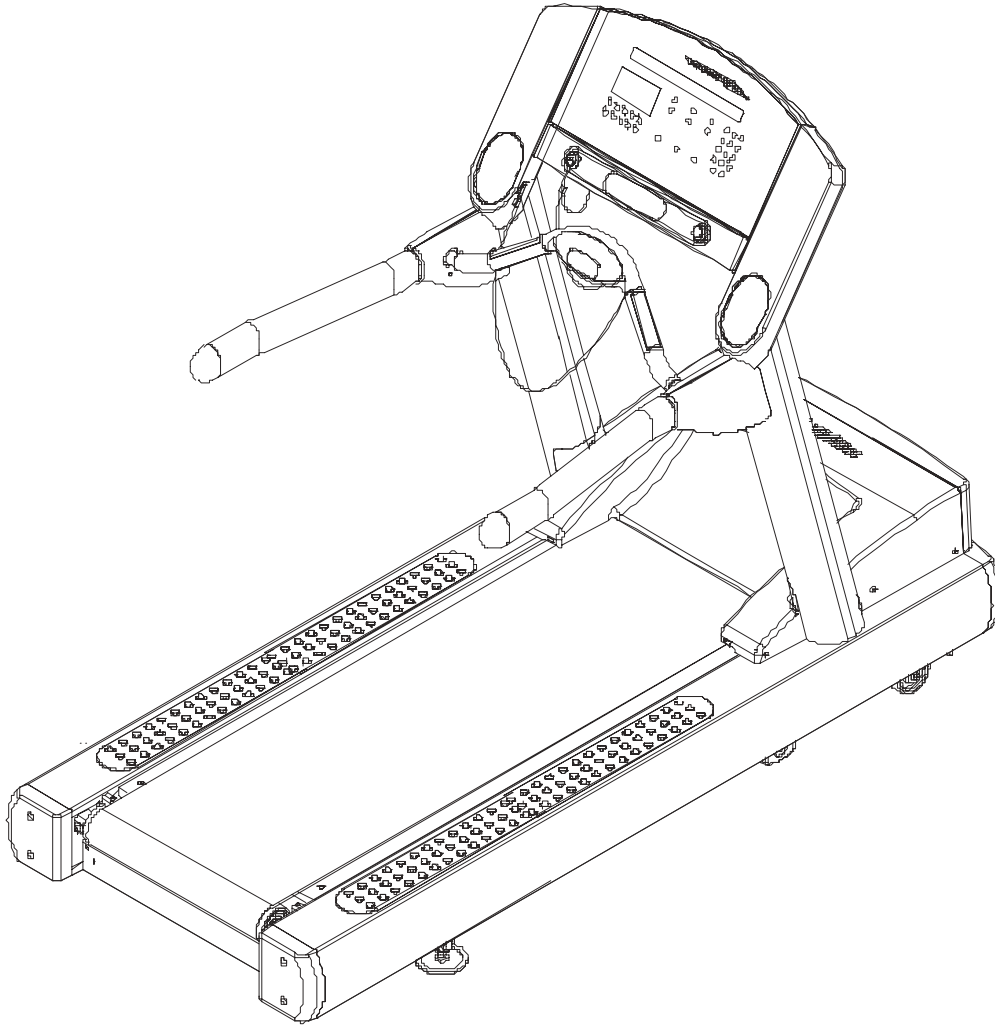


LifeFitness

ARCTIC SILVER T9 TREADMILL



Customer Support Services
PARTS MANUAL rev 29 May 2008

ARCTIC SILVER T9
CONTENTS

T9-XXXX-03
S/N TTQ100000 and up

CONSOLE ASSEMBLY & OVERLAY..... 5

CONSOLE COMPONENTS 6

UPRIGHTS & HANDRAILS 7

ERGO BAR with Life Pulse..... 8

REAR ENDCAPS, CUP HOLDERS & ANTI-SLIPS PADS 9

MOTOR COVER, FRONT COVER & ENDCAPS 10

ON-OFF SWITCH & GROMMETS 11

BELT, DECK & REAR ROLLER..... 12

LIFT MOTOR & FRAME - DOMESTIC 13

LIFT MOTOR & FRAME - INTERNATIONAL..... 14

LEG LEVELER ASSEMBLY 15

FRONT ROLLER ASSEMBLY 16

DRIVE MOTOR ASSEMBLY 17

DSP-CONTROLLER ASSEMBLY 18

LINE-CORDS & LINE-CORD OPTIONS 19

CABLES FOR UNITS BETWEEN 0100 - 0104 20

ARCTIC SILVER T9
ASSEMBLIES

T9-XXXX-03
S/N TTQ100000 and up

ASSEMBLIES				
LANGUAGE	OPERATION MANUAL	INSTRUCTION ASSEMBLY	INSTRUCTION BAG ASSY.	SERVICE MANUAL
T9-0100-03	M051-00K60-A061	M051-00K60-A059	AK60-00149-0000	M051-00K58-A253
T9-0101-03	M051-00K60-A061	M051-00K60-A059	AK60-00149-0004	M051-00K58-A253
T9-0102-03	M051-00K60-A061	M051-00K60-A059	AK60-00149-0004	M051-00K58-A253
T9-0104-03	M051-00K60-A061	M051-00K60-A059	AK60-00149-0004	M051-00K58-A253

NOTE: not all instruction or instruction bag assemblies may be available

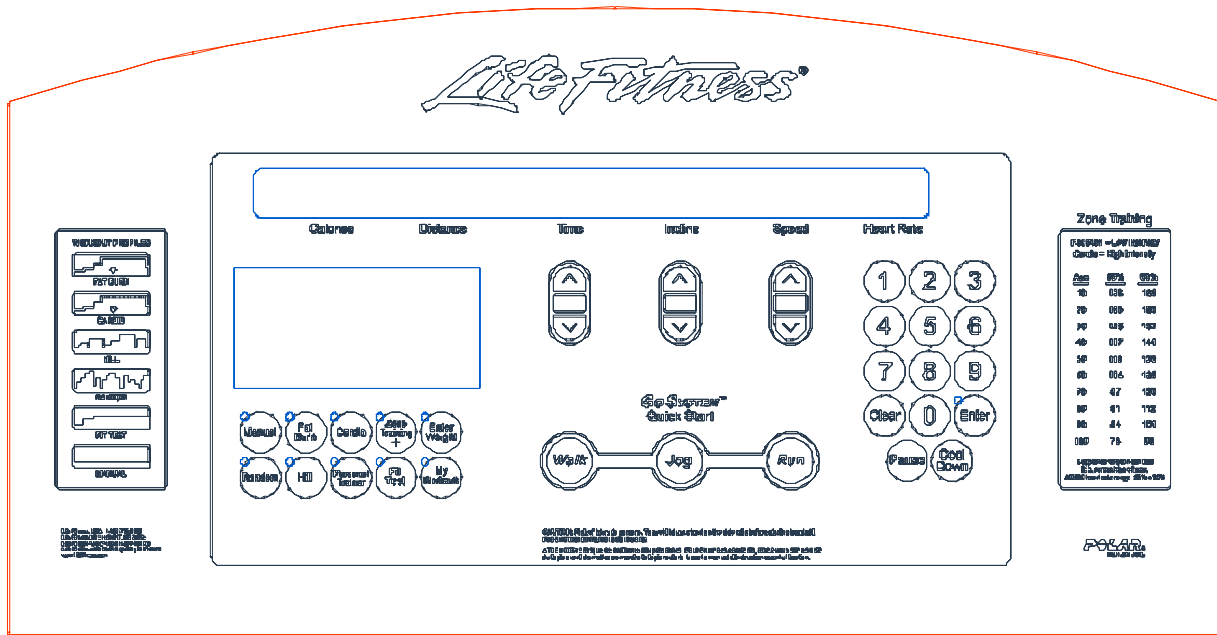
AK60-00173-0000	HDWR-BAG ASSY: MFG; T9i	
Item	Description	Qty
OK58-01305-0002	PLUG: UPRIGHT S/C-C	2
OK58-01347-0000	GASKET: ERGOBAR C	2
0017-00009-1049	WRENCH: TORX; T27 B	1
0017-00042-0326	GROMMET: PLASTI; .130/.005 S/C#13-B	2
0017-00042-0840	CLIP: WIRE; PUSH-MTG; 3/4"; S/C#80-B	5
0017-00101-1770	8-15X 8 PHL PAN A SS NO B	6
0017-00101-1772	10-16X 8 PHL PAN B ST ZS B	6
0017-00101-1773	1/4 -20X 8 TRX BUT CS SS NO B	6
0017-00101-1774	5/16-18X40 TRX FLT CS ST ZS B	4
0017-00101-1778	1/2 -13X16 UNS HEX CS G5 ZB B	4
0017-00101-1780	8- X20 PHL TRS AB SS NO B	8
0017-00104-0325	WSH 516-.873-125 SL-D ST ZN B	4
0017-00103-0327	NUT 5/16-18 HEX; JAM D ST ZS B	4
118E-00001-0135	TRANSMITTER: POLAR; T31 C	1
118E-00001-0136	STRAP: POLAR; MEDIUM S/C#2-C	1

GK58-00002-0095 KIT: SERV; ROLLER-GUARDS; 93/95Ti BM		
Part Number	Description	Qty
AK58-00360-0001	GUARD-ASSY: MFG; RT; 3.50 B	1
AK58-00360-0002	GUARD-ASSY: MFG; LT; 3.50 B	1
M051-00K58-B128	INSTR: SERV; ROLLER-GUARDS +	1
0017-00042-0326	GROMMET: PLASTI; .130/.005 S/C#13-B	2
0017-00042-1147	GROMMET: NYLON; SCREW B	2
0017-00101-1776	10-16X 8 PHL PAN B ST ZB B	4

GK58-00002-0071 KIT: SERV; ANTI-SLIP RAIL BM		
Part Number	Description	Qty
Only available in the kit	INSTR:TEMPLT; ANTI-SLIP RAIL B	4
Only available in the kit	INSTR: KIT; ANTI-SLIP RAIL +	1
0K58-01376-0000	RAIL: ANTI-SLIP;STEALTH-GREY E	2
Only available in the kit	PAD: WIPE; ALCOHOL/DRY B	

TOUCH UP PAINT:		
Part Number	Description	
0017-00008-0204	PAINT: CAN; SPRAY; ARCTIC SILVER	
0017-00008-0205	PAINT: BOTTLE; ARCTIC SILVER (.5 OZ)	
0017-00008-0206	PAINT: PEN; ARCTIC SILVER (.33 OZ)	

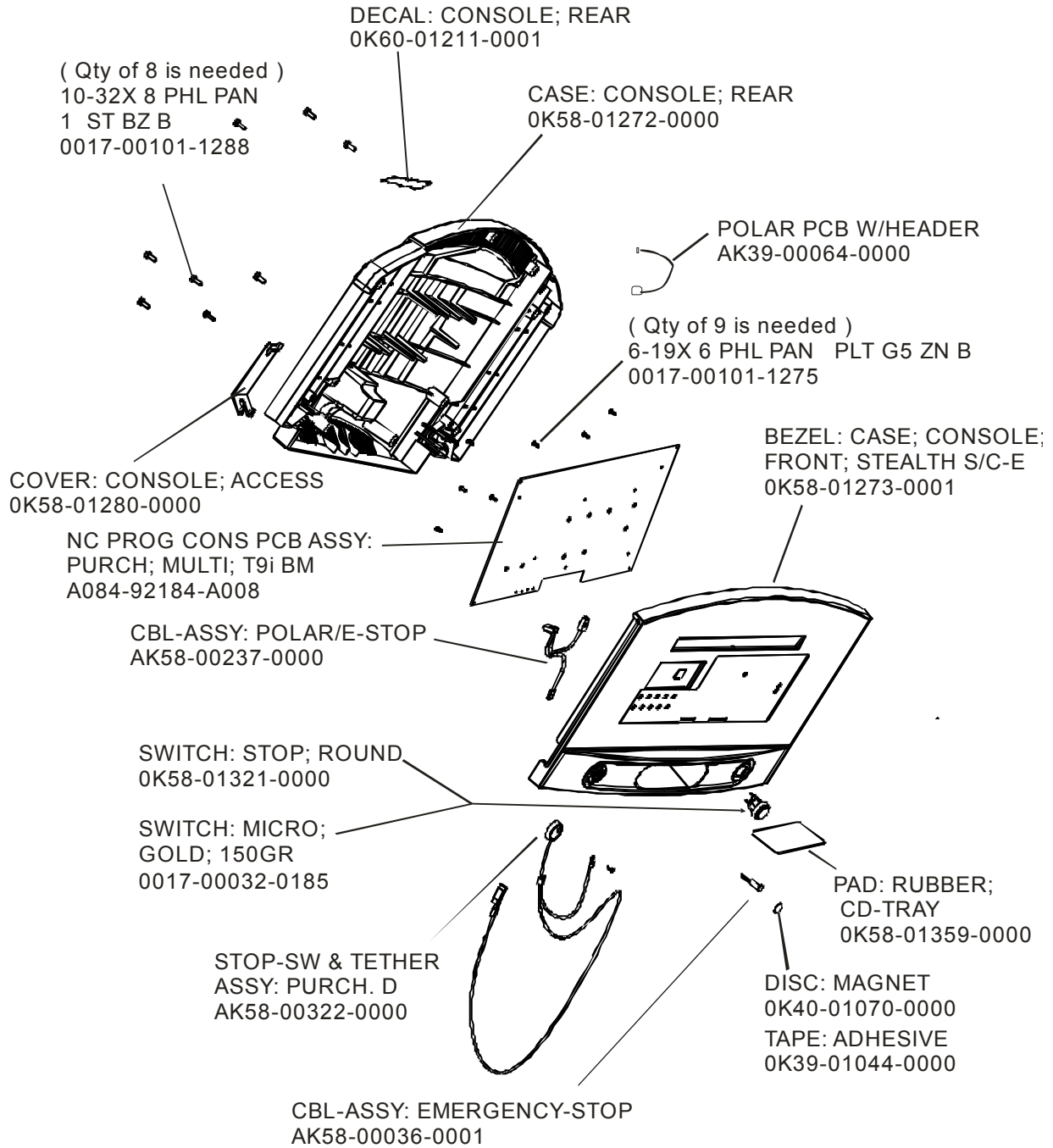
INK TRANSFER TOUCH-UP PAINT: SB No. GN05032101N		
Part Number	Description	
0017-00008-0210	PAINT: TOUCH-UP; SHADOW-GRAY; .6 OZ BTL.	
0017-00008-0211	PAINT: TOUCH-UP; SHADOW-GRAY; .6 OZ. PEN	



LANGUAGE	CONSOLE	OVERLAY
T9-0100-03	AK60-00146-0001	OK60-01199-0001
T9-0101-03	AK60-00146-0002	OK60-01199-0001
T9-0102-03	AK60-00146-0002	OK60-01199-0001
T9-0104-03	AK60-00146-0002	OK60-01199-0001

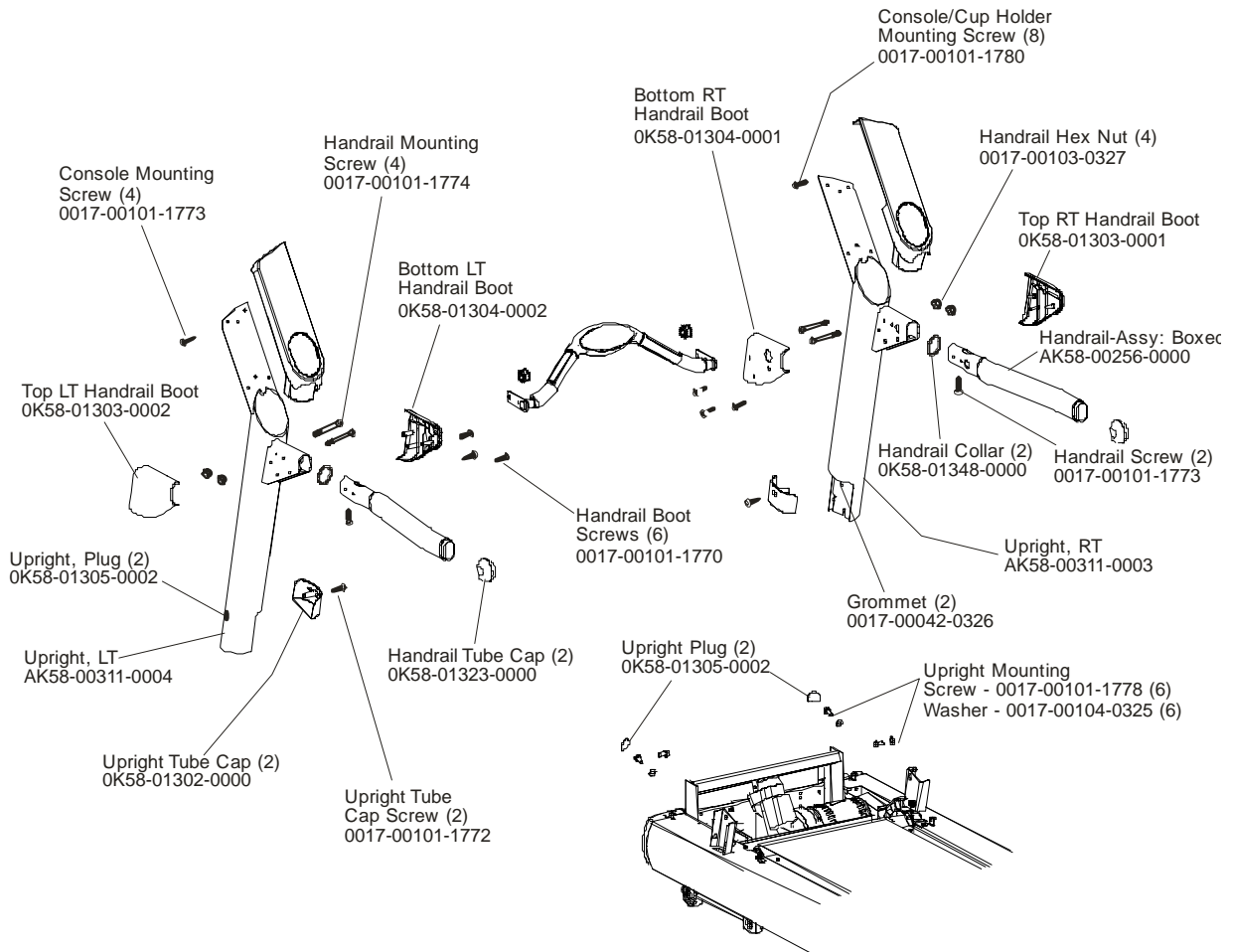
**ARCTIC SILVER T9
Console Components**

**T9-XXXX-03
S/N TTQ100000 and up**



ARCTIC SILVER T9
Uprights & Handrails

T9-XXXX-03
S/N TTQ100000 and up

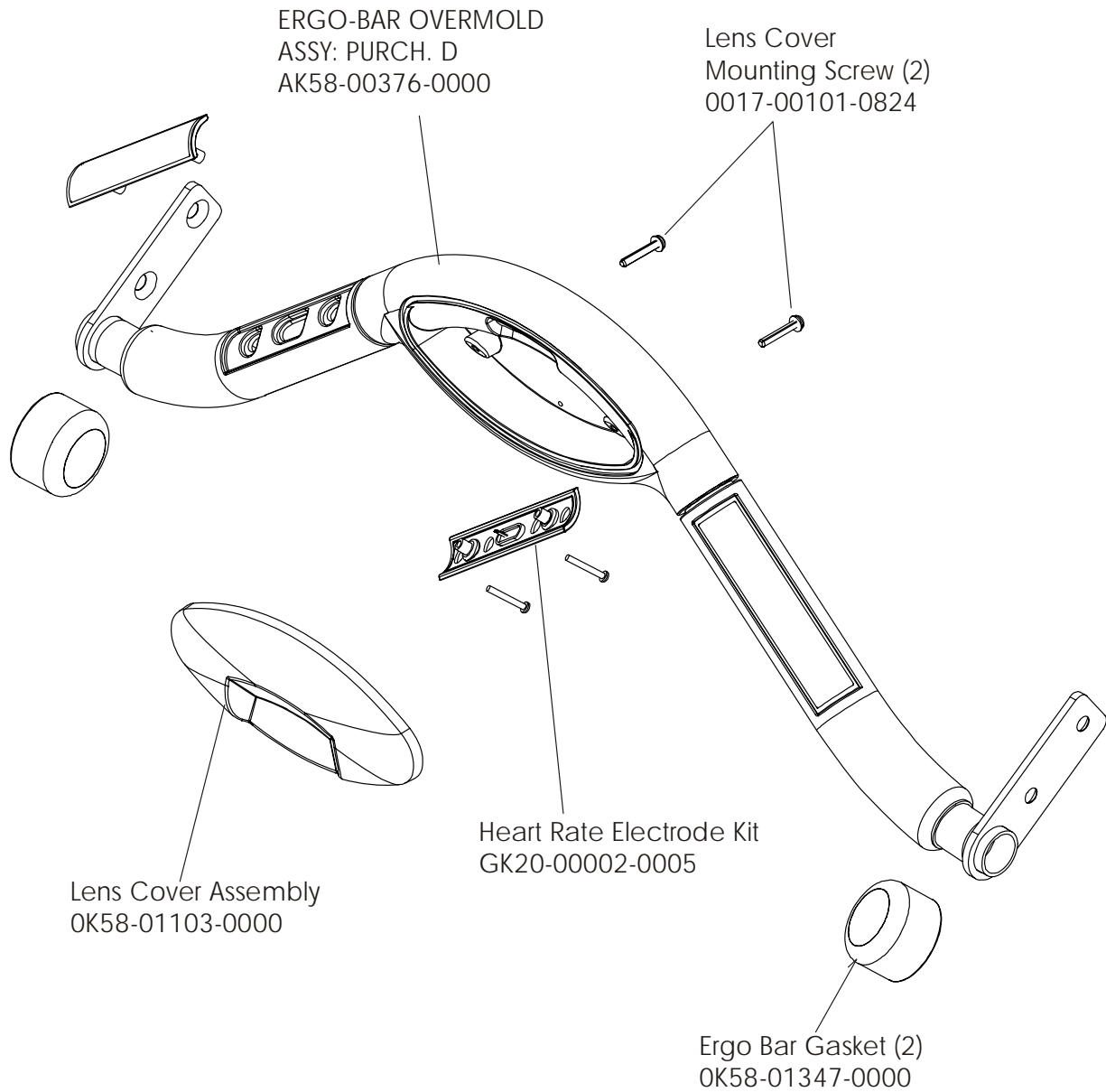


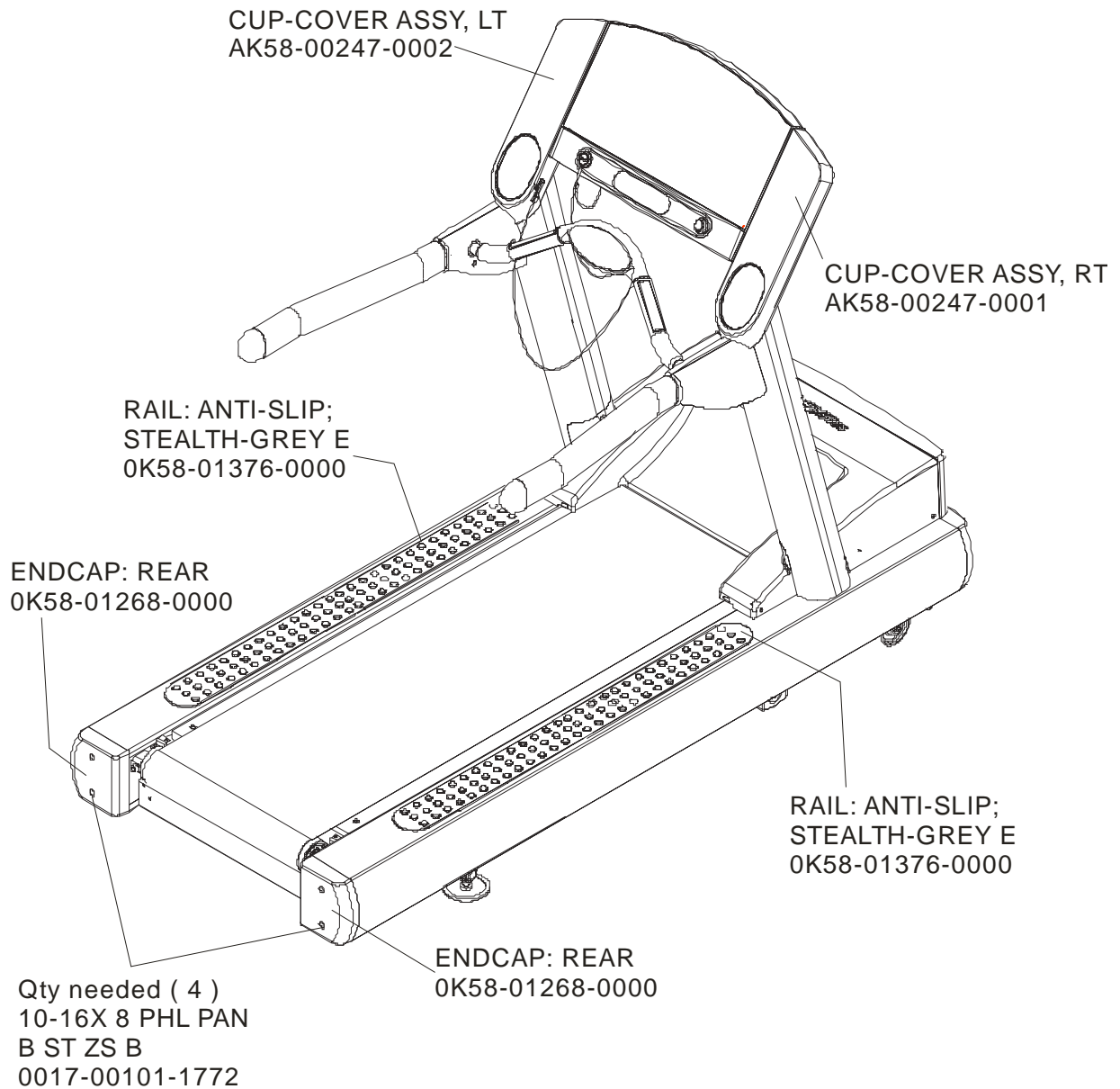
ARCTIC SILVER T9

ERGO BAR with Life Pulse - AK60-00147-0000

T9-XXXX-03

S/N TTQ100000 and up



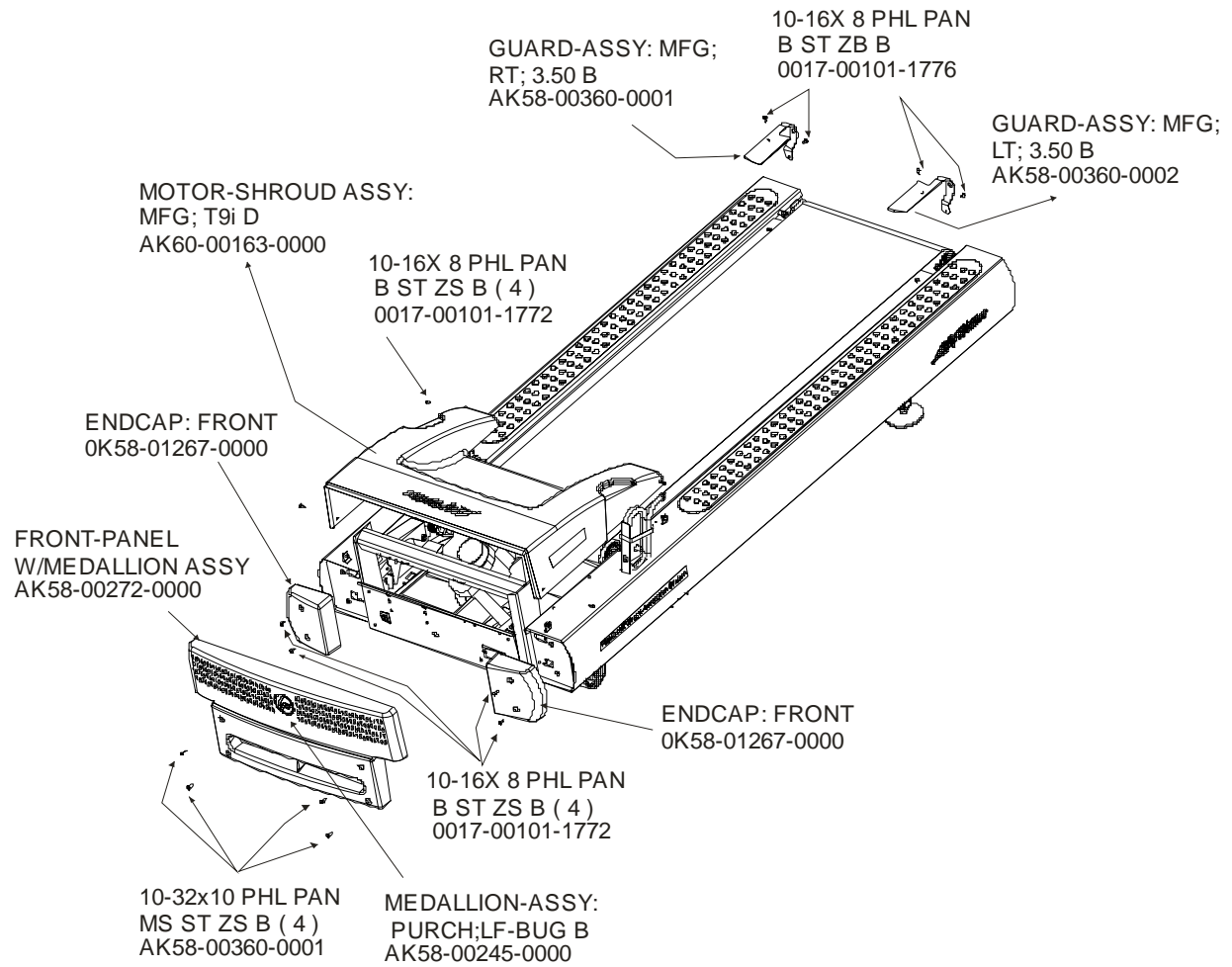


ARCTIC SILVER T9

Motor Cover, Front Cover & Front End Caps

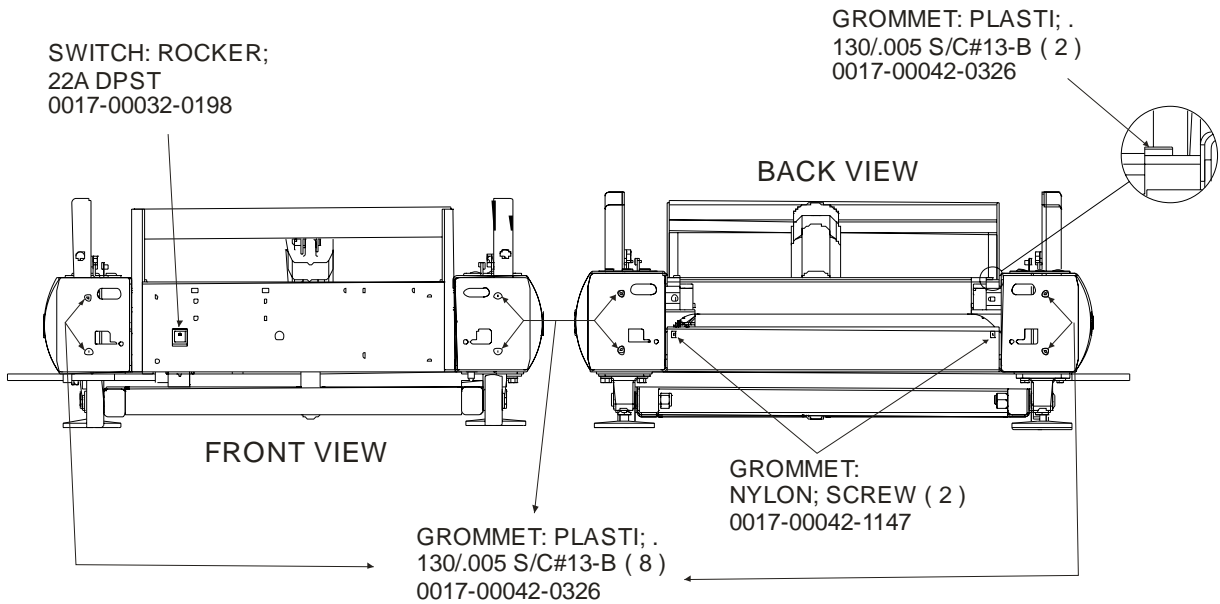
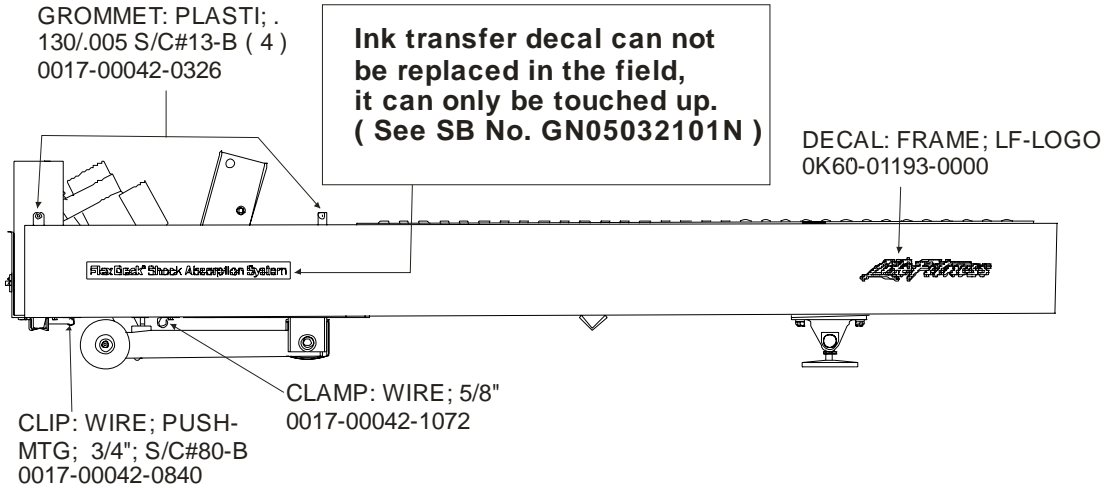
T9-XXXX-03

S/N TTQ100000 and up



ARCTIC SILVER T9
On-Off Switch & Grommets

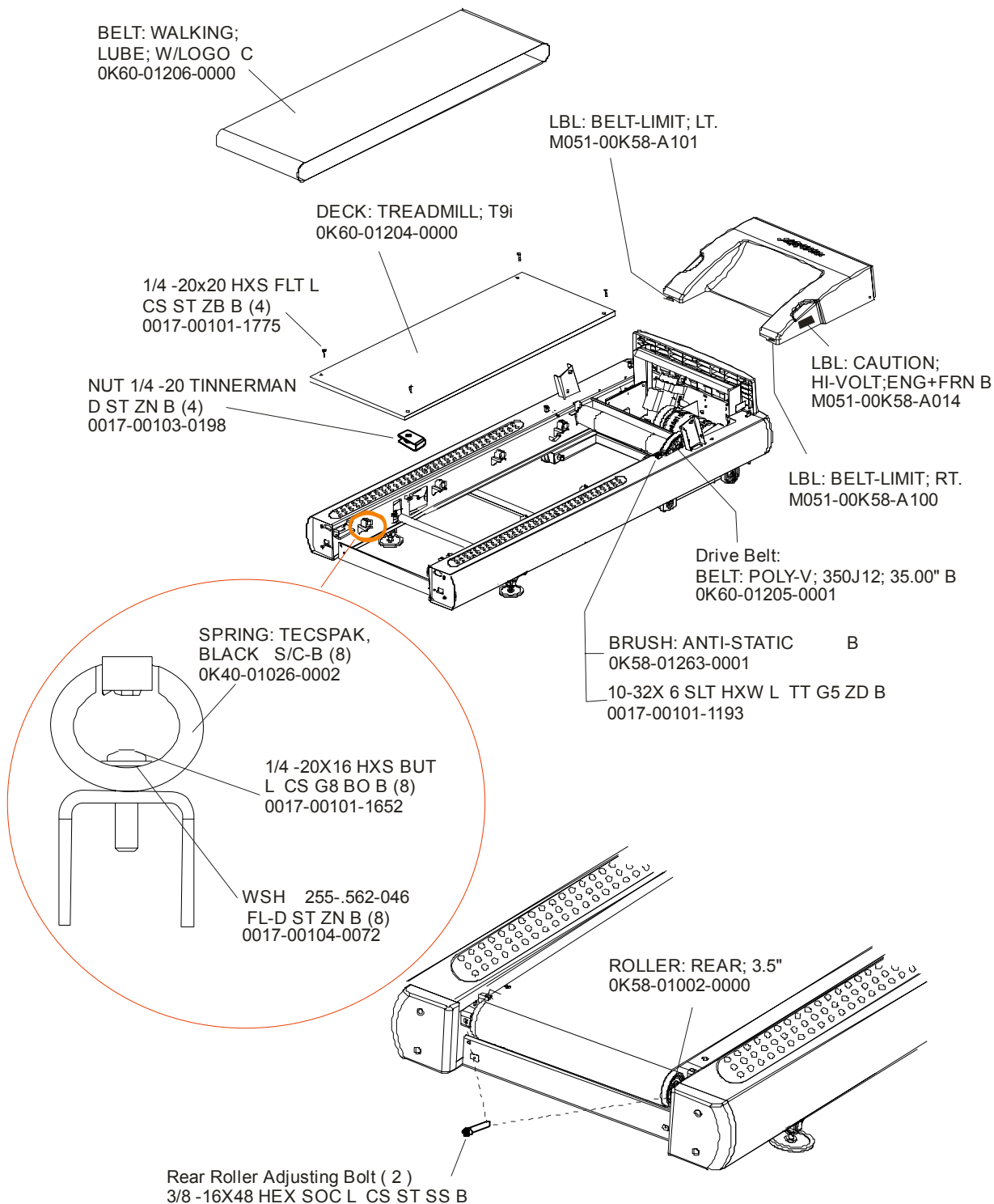
T9-XXXX-03
S/N TTQ100000 and up



ARCTIC SILVER T9

Belt, Deck, Rear Roller & Drive Belt

T9-XXXX-03
S/N TTQ100000 and up

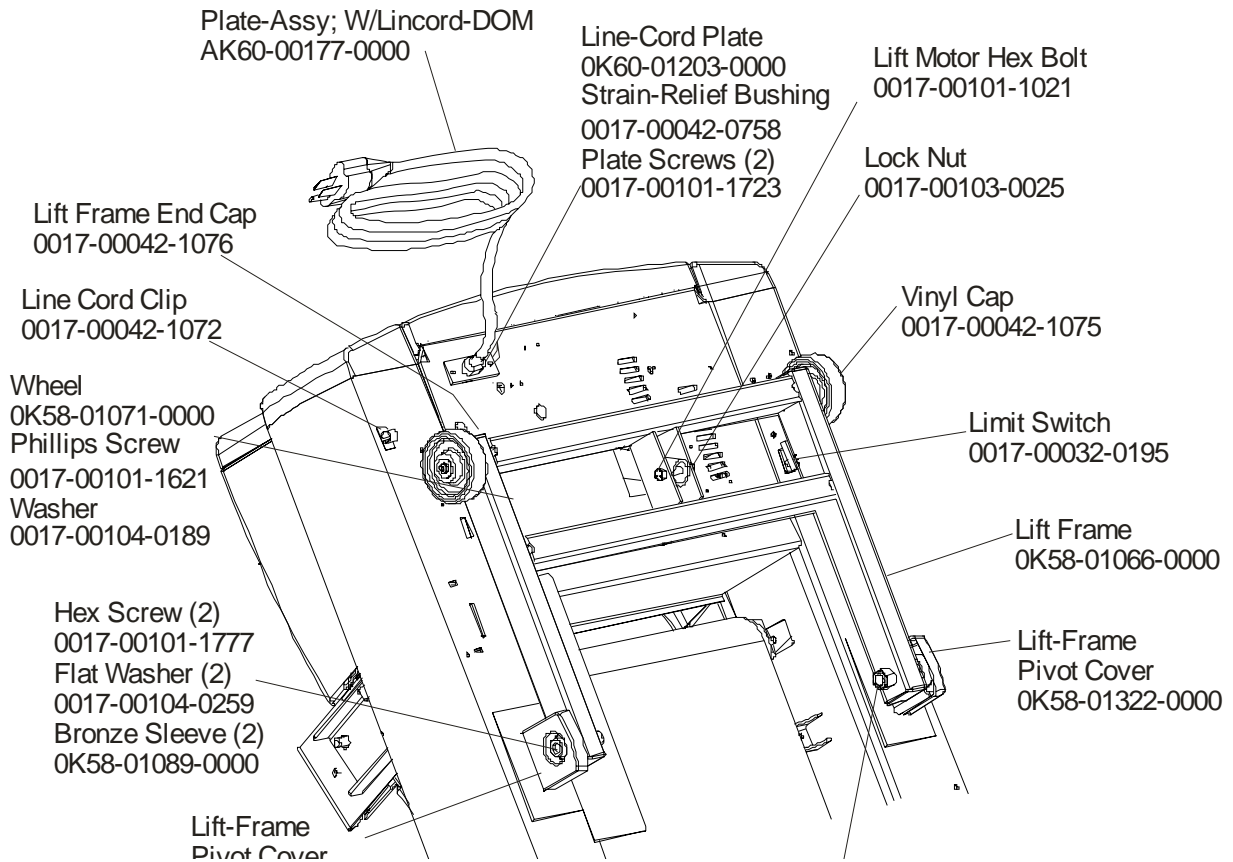
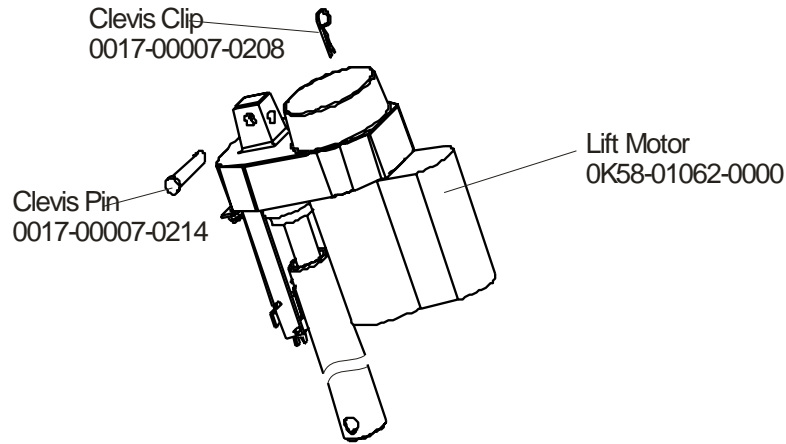


ARCTIC SILVER T9

Lift Motor & Frame - Domestic

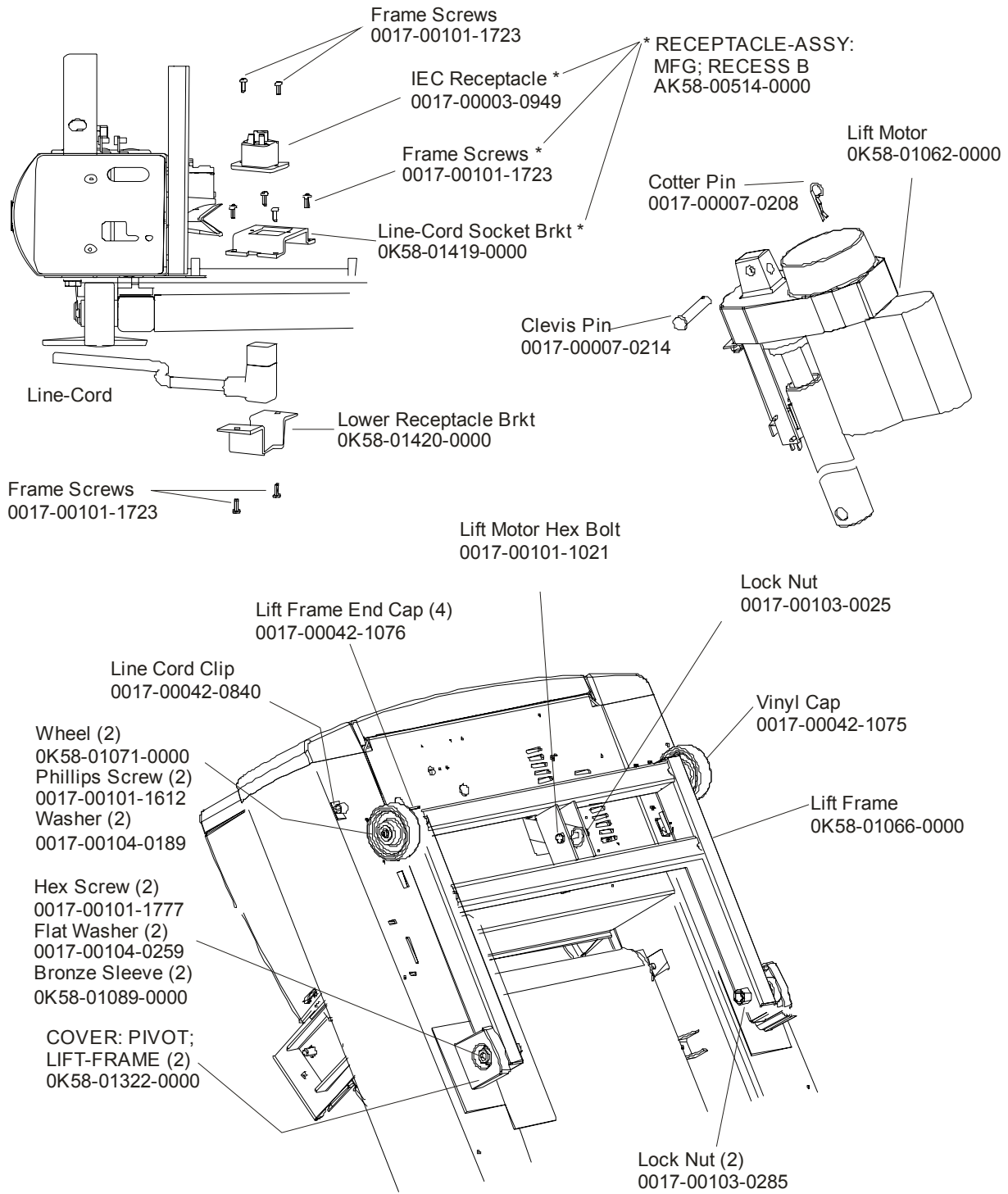
T9-XXXX-03

S/N TTQ100000 and up



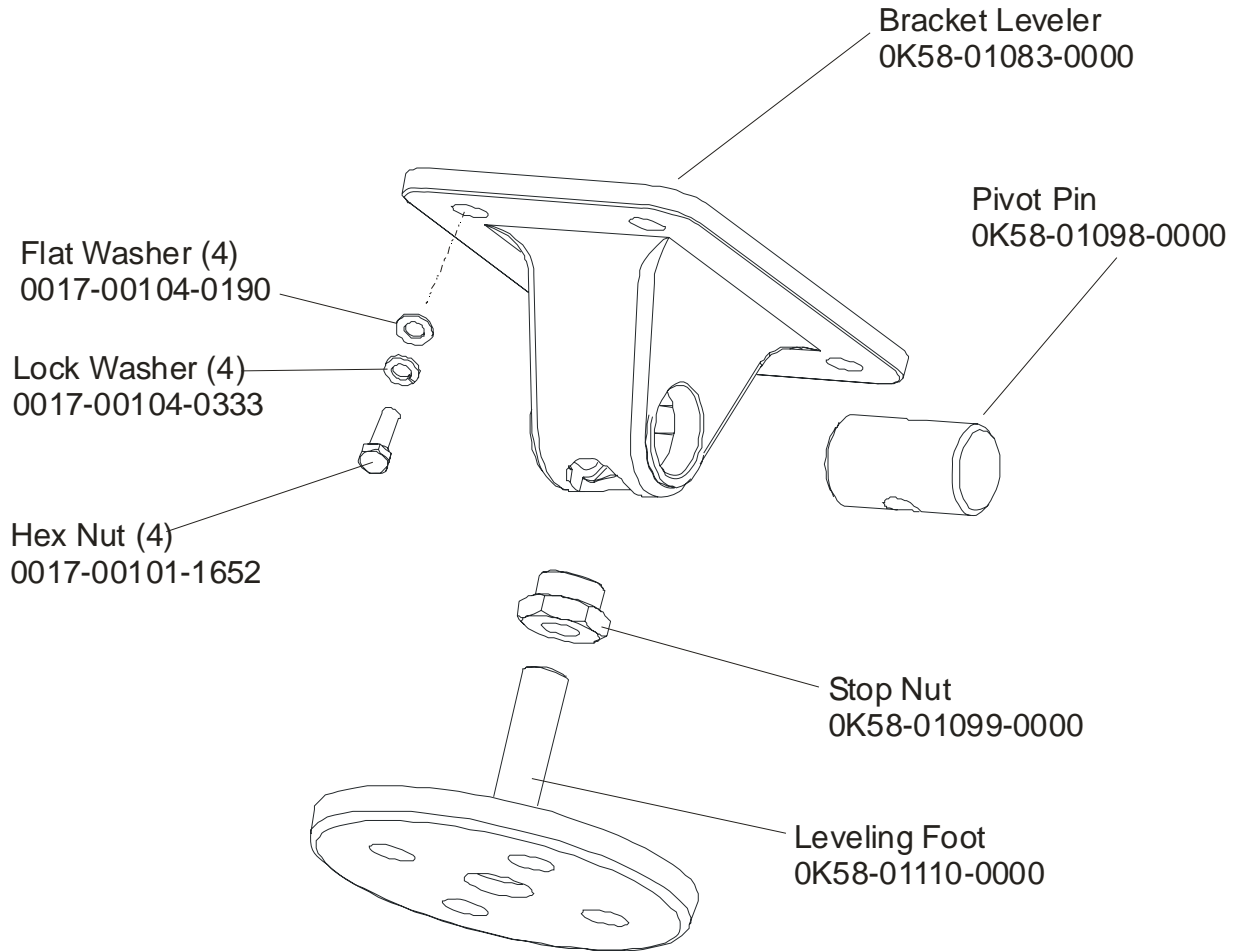
ARCTIC SILVER T9
Lift Motor & Frame - International

T9-XXXX-03
S/N TTQ100000 and up



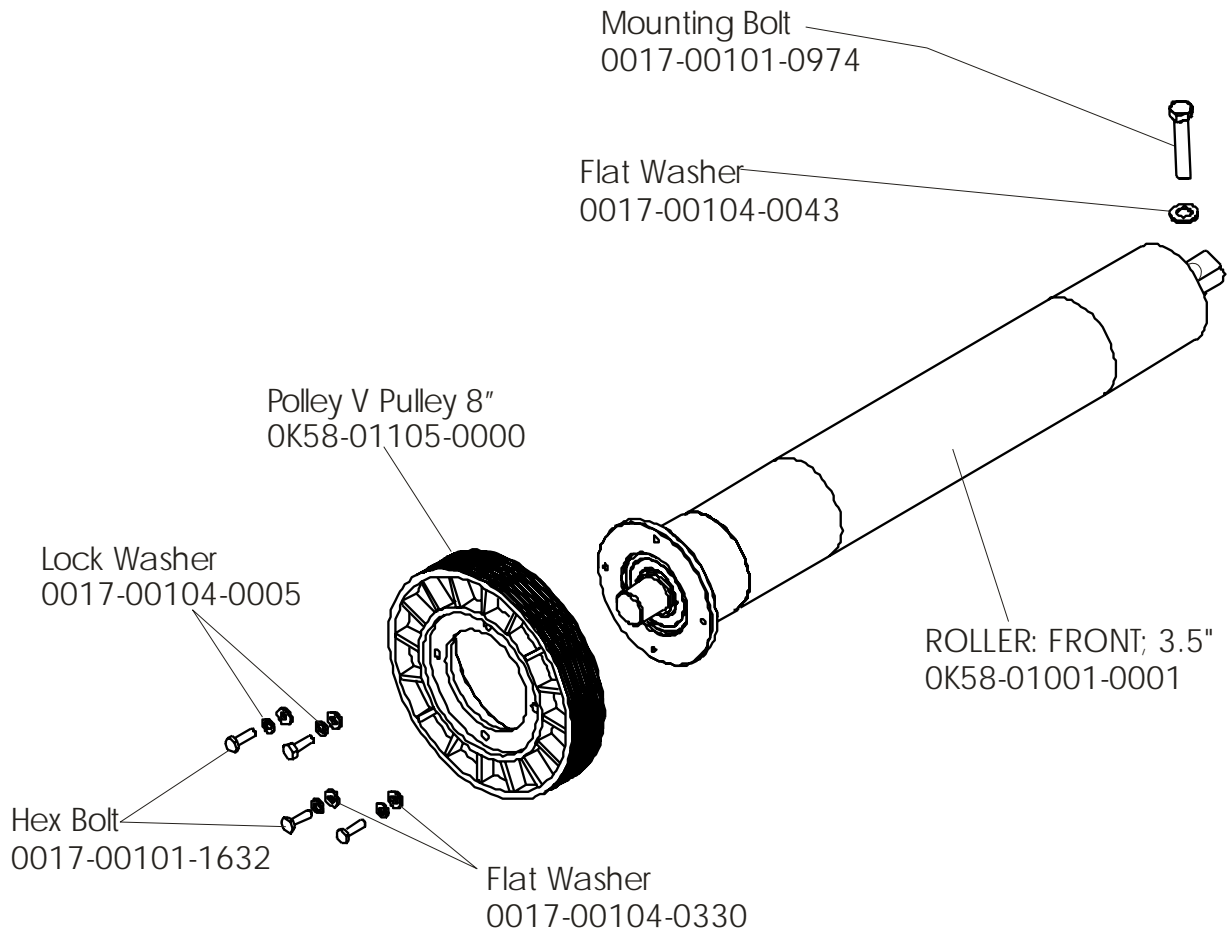
ARCTIC SILVER T9
Leg Leveler Assembly - AK58-00370-0000

T9-XXXX-03
S/N TTQ100000 and up



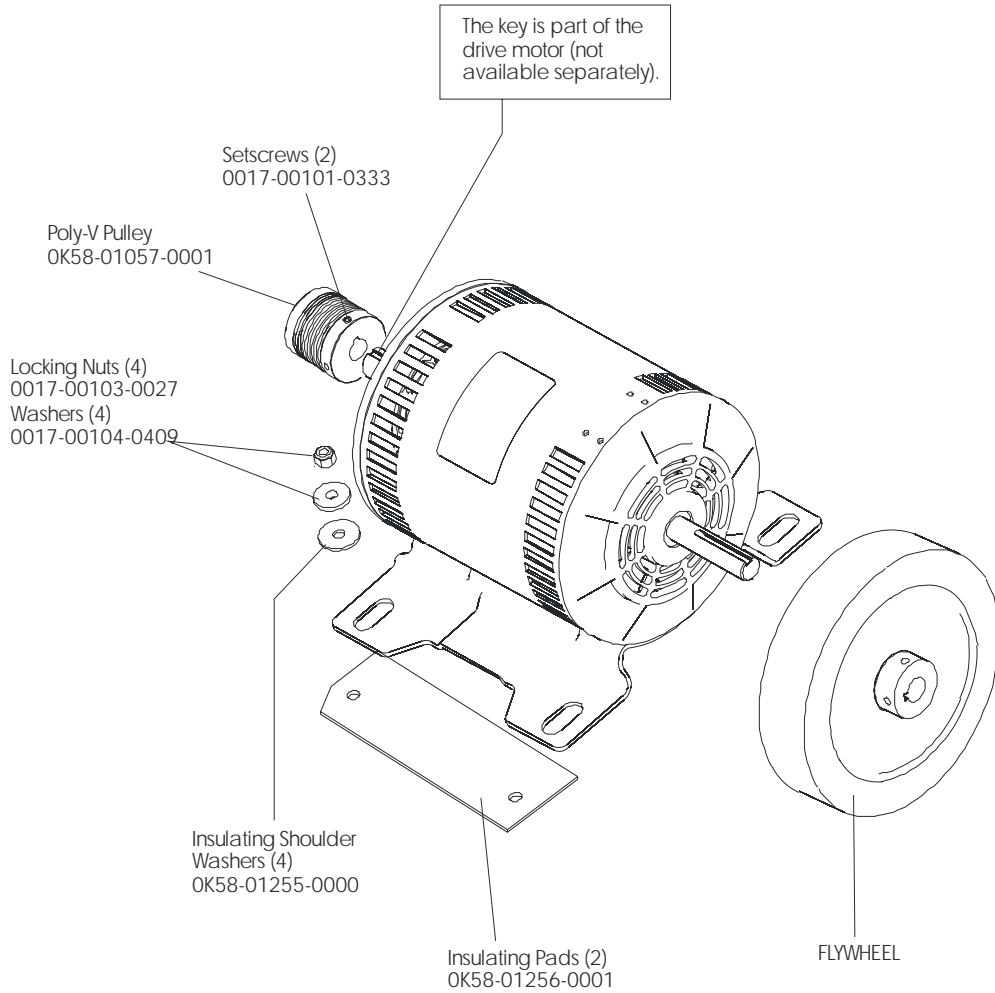
ARCTIC SILVER T9
Front Roller Assy.- AK58-00066-0000

T9-XXXX-03
S/N TTQ100000 and up



ARCTIC SILVER T9
Drive Motor Assembly

T9-XXXX-03
S/N TTQ100000 and up

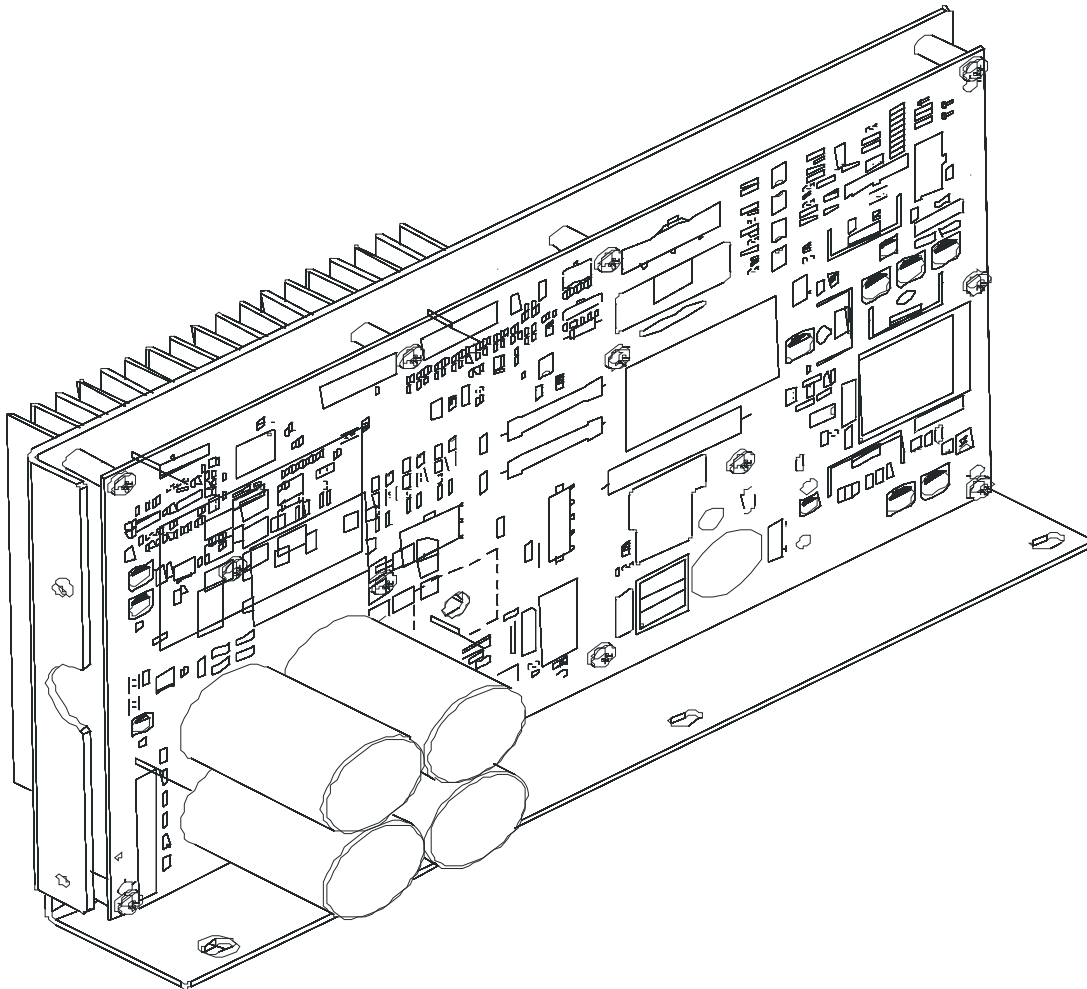


Description	Part Nos.	
	S/N TSQ100000–TSS10873	S/N TSQ100874 and up
Drive Motor Assembly	AK58-00171-0001 (dual cable)	AK60-00168-0001 (tapered shaft)
Cast Iron Flywheel	OK58-01092-0002	OK58-01092-0004
Flywheel Setscrews/Bolt	0017-00101-0975 (uses setscrews)	0017-00101-1885 (uses bolt)

Ref: technical bulletin TR07060101N

ARCTIC SILVER T9
DSP-Controller Assy.

T9-XXXX-03
S/N TTQ100000 and up



VOLTAGE	PART NUMBER	PART DESCRIPTION
100-120	GK58-00002-0118	KIT: SERV; MFG; DSP CONTROLLER 100-120; LED
200-240	GK58-00002-0120	KIT: SERV; MFG; DSP CONTROLLER 200-240; LED

ARCTIC SILVER T9
Line-Cords & Line-Cord Options

T9-XXXX-03
S/N TTQ100000 and up

MODEL #	MODEL DESCRIPTION	STANDARD LINE-CORDS
T9-0100-03	T9i ENG/ENG 120/60 DOM	AK60-00177-0000 PLATE-ASSY W/LINECORD: MFG; DOM.C
T9-0101-03	T9i ENG+MET 230/50 CON	0017-00003-0696 LINE-CORD: R/A; CEE7; 103" 10A 250V D
T9-0102-03	T9i ENG+MET 240/50 UK	0017-00003-0890 LINE-CORD: U.K; R/A
T9-0104-03	T9i ENG+MET 240V+ AUS	0017-00003-0996 LINE-CORD: IEC; AUSTRALIAN; 230/50 C

OPTIONAL LINE-CORDS		
0017-00003-0985	LINE-CORD ASSY: NEMA 5-15 120V 12' C	12'
0017-00003-0981	LINE-CORD: R/A; W/PLUG 220/60	7.5'
0017-00003-0948	LINE-CORD: 220V; 15A;	12'

ARCTIC SILVER T9

Cables for Units Between 0100 - 0104

T9-XXXX-03

S/N TTQ100000 and up

PART NUMBER	PART DESCRIPTION	T9-XXXX-03				
		0100 120/60 DOM	0101 230/50 CON	0102 240/50 UK	0104 240V+ CON	
0017-00003-0626	CIRCUIT-BREAKER: 2A S/C#18-D		X	X		
0017-00003-0671	CLIP: MTG; CIRCUIT-BREAKER B		X	X		
0017-00003-0898	FILTER: LINE; 10-AMP 4-SHT C		X	X	X	
AK26-00346-0002	CBL-ASSY: JMPR;OUTLET/SW/BLK S/C-B	X	X	X	X	
AK26-00347-0002	CBL-ASSY: JMPR;OUTLET/SW/WHT S/C-B	X	X	X	X	
AK58-00027-0000	CBL-ASSY: ZERO-SWITCH C	X	X	X	X	
AK58-00034-0001	CBL-ASSY: CONSOLE; PWR; UPR C	X	X	X	X	
AK58-00036-0000	CBL-ASSY: EMERGENCY-STOP C	X	X	X	X	
AK58-00041-0001	CBL-ASSY: H/R SENSORS C	X	X	X	X	
AK58-00081-0000	CBL-ASSY: JUMPER; BLK; 4" B		X	X	X	
AK58-00082-0000	CBL-ASSY: JUMPER; WHT; 6" B		X	X	X	
AK58-00083-0000	CBL-ASSY: JUMPER; GR/YL; 5" B		X	X	X	
AK58-00210-0000	XFRMR-BRKT ASSY: MFG. C		X	X	X	
AK58-00224-0001	CBL-ASSY: MOV; FILTER C	X	X	X	X	
AK58-00237-0000	CBL-ASSY: POLAR/E-STOP C	X	X	X	X	
AK58-00263-0000	CBL-ASSY: HI-POT JUMPER B	X	X	X	X	
AK58-00522-0000	CBL-ASSY: JUMPER; POWER; LED-CONS B	X	X	X	X	
AK60-00180-0000	CBL-ASSY: POWER; T9; 120V C	X				
AK60-00181-0000	CBL-ASSY: POWER; T9; 31" 200-240V S/C-C		X	X	X	